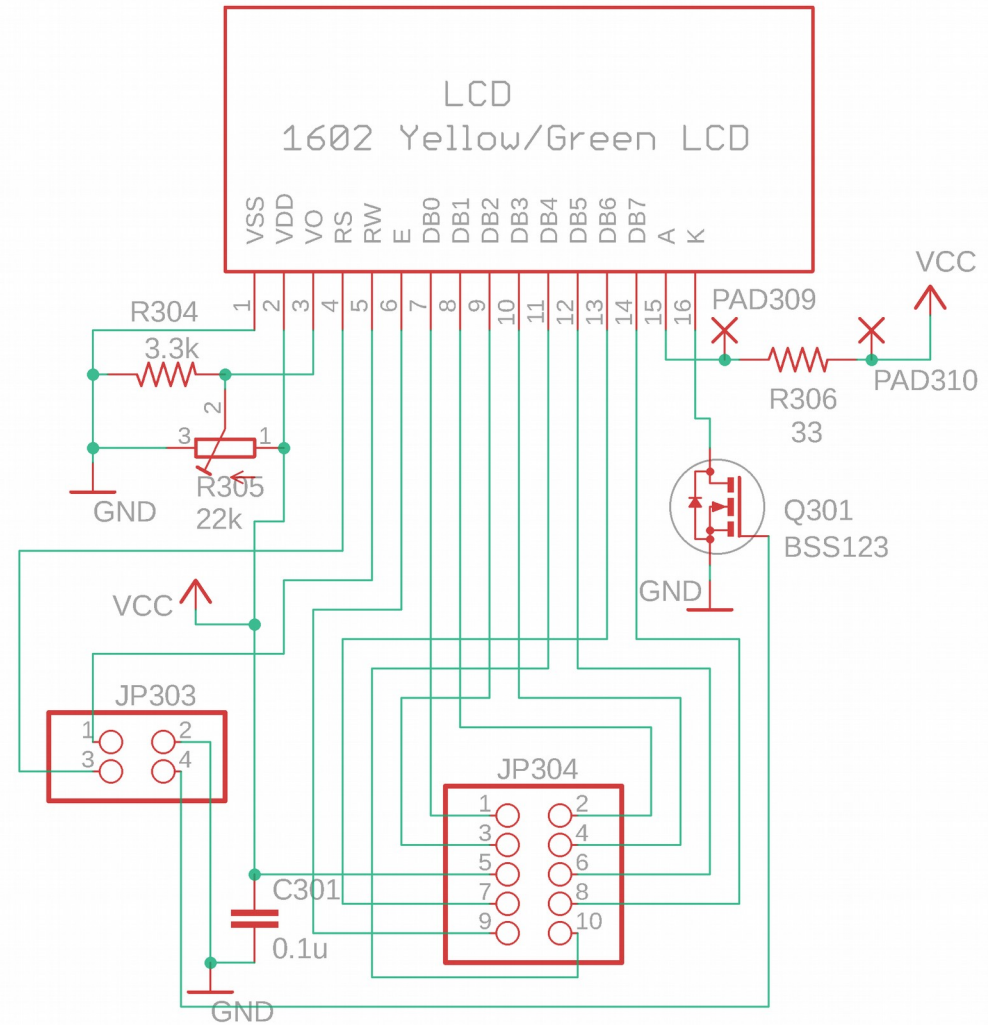
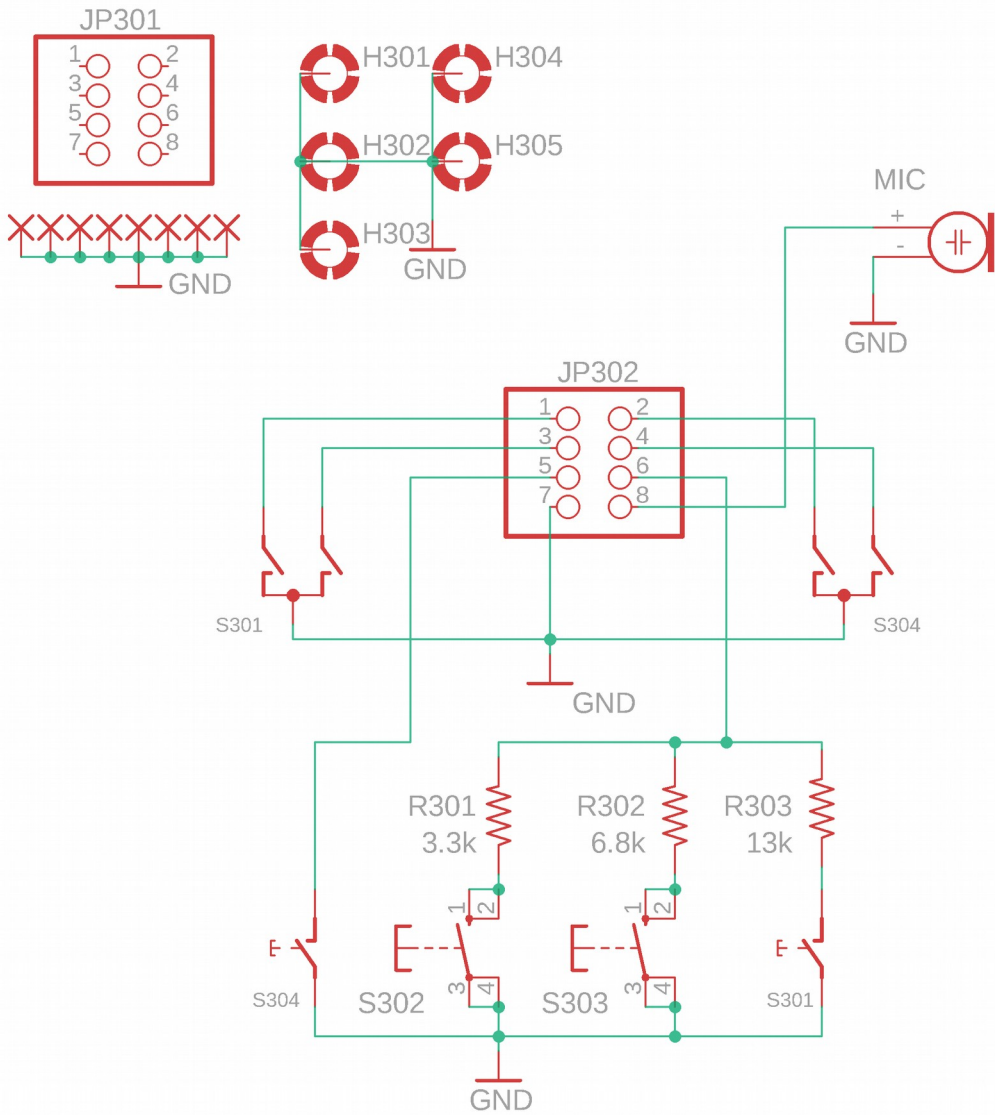


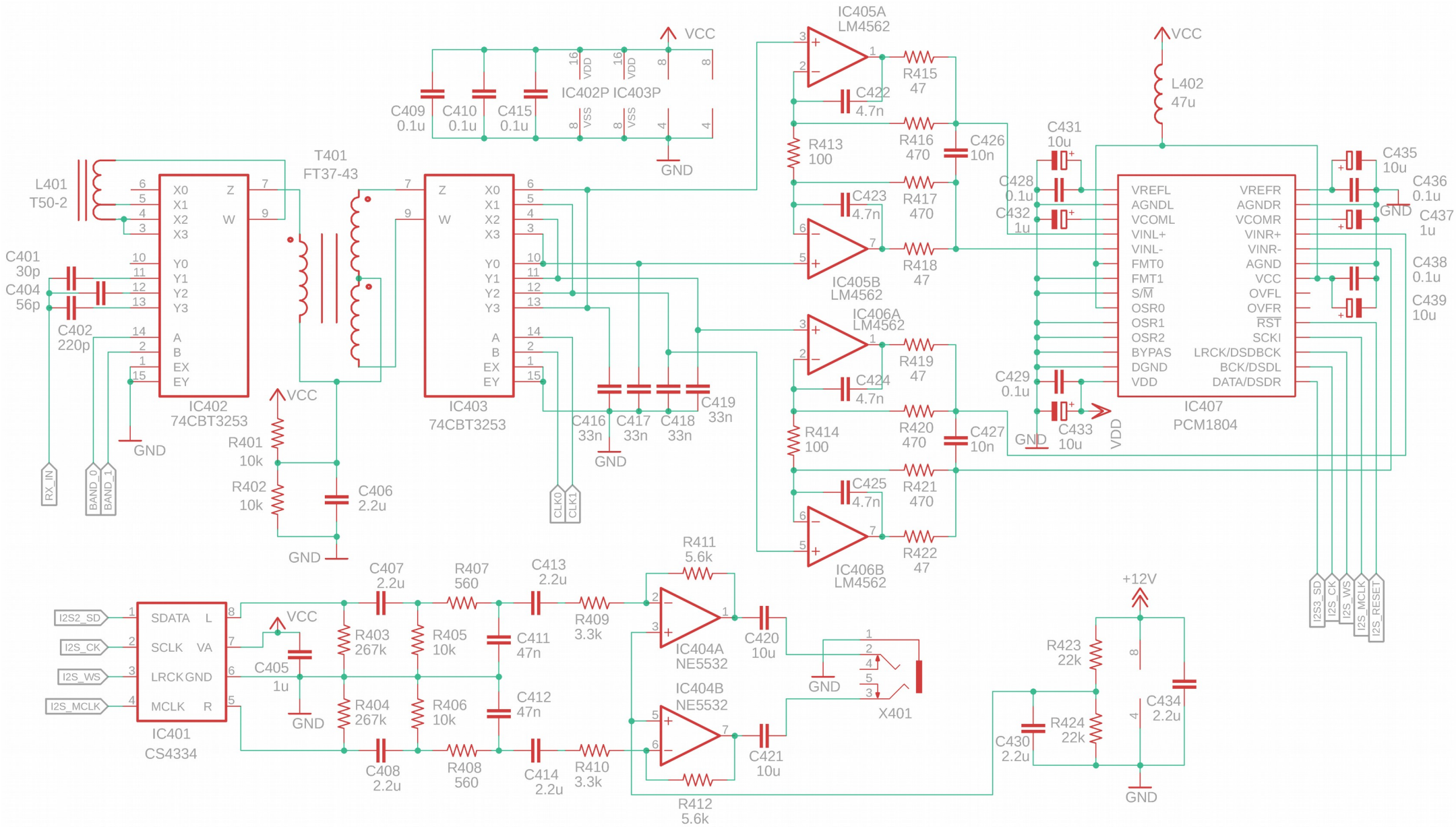
2: Microcontroller and digital sections



Plug-in Controls board

LCD board

3: LCD and Controls boards



4: Receiver

