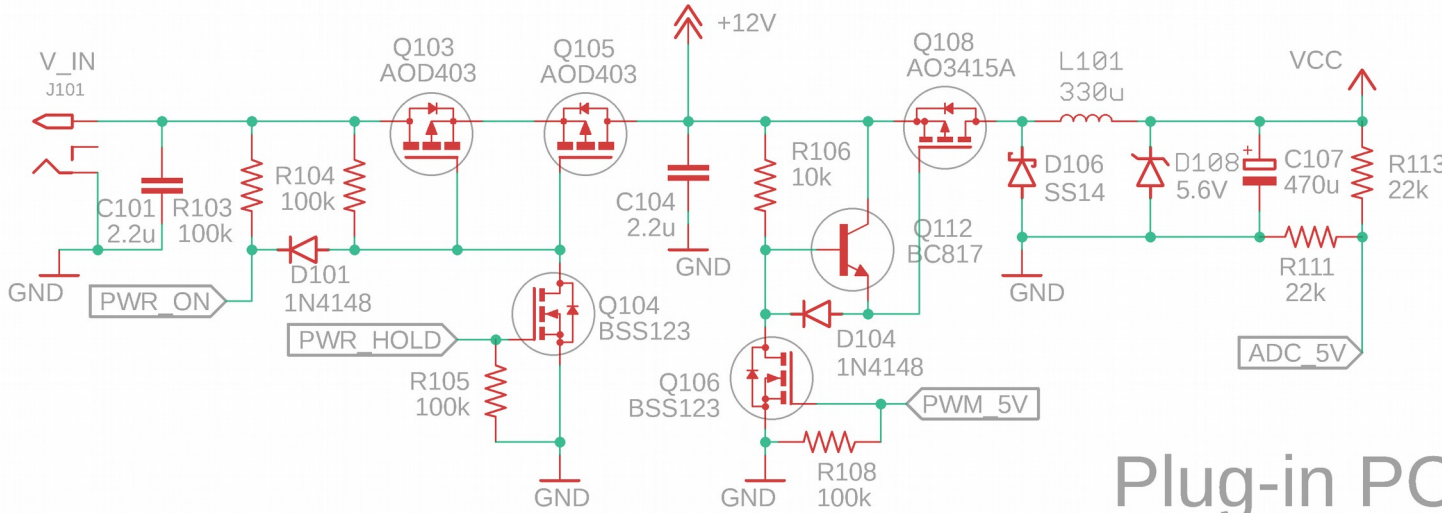
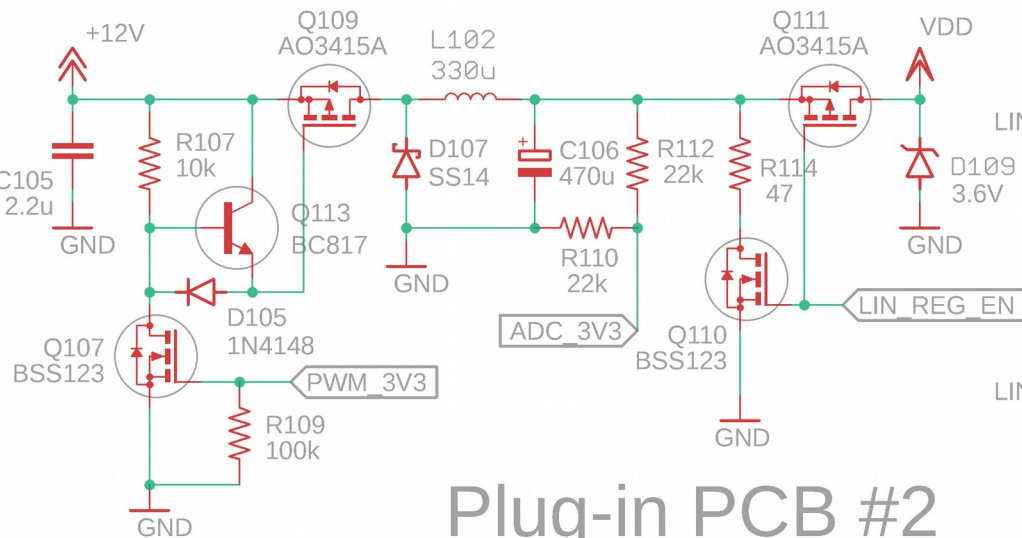
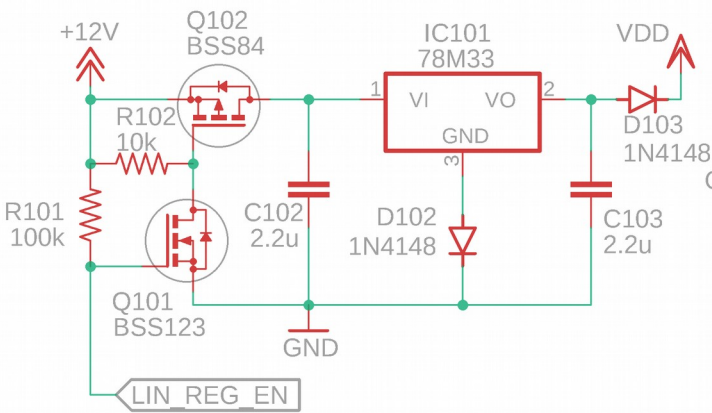
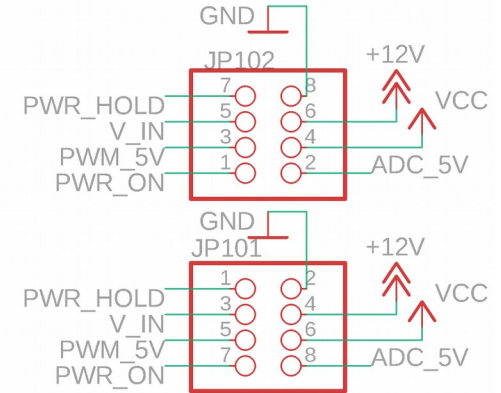


Rev 2 PCB QMX Schematics

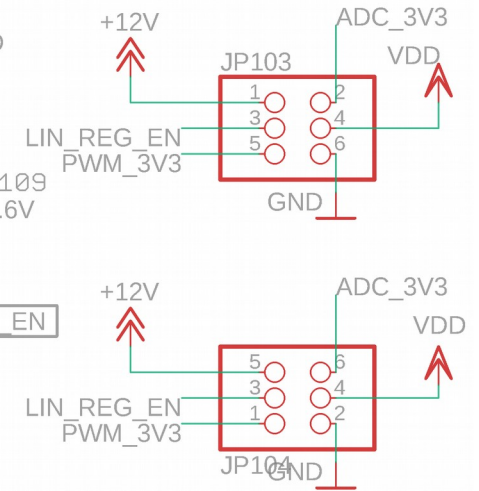
Note, component numbering indicates the page number of the schematics; e.g. all components numbered 1xx are on page 1 etc. R106, for example, is on schematics page 1.



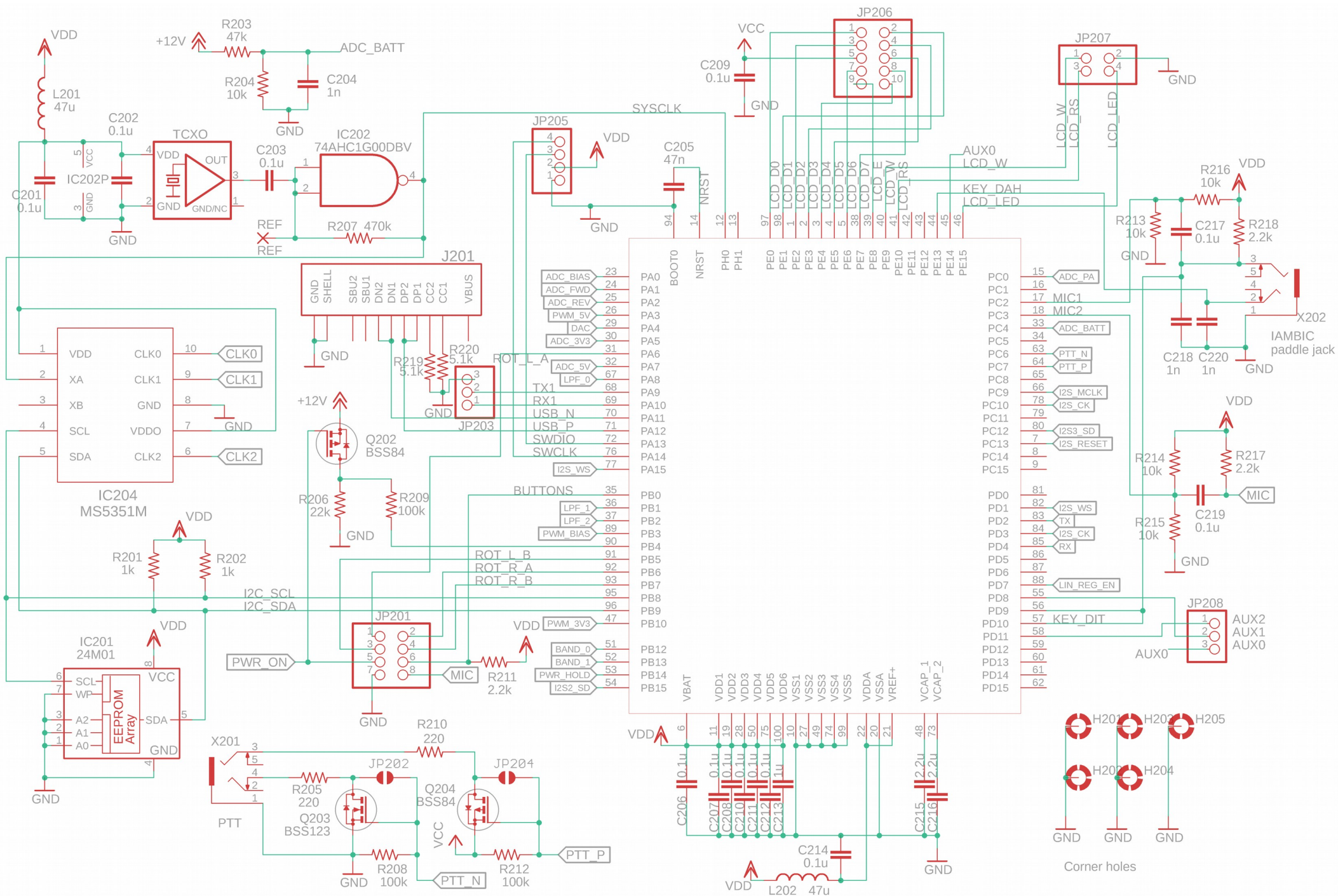
Plug-in PCB #1



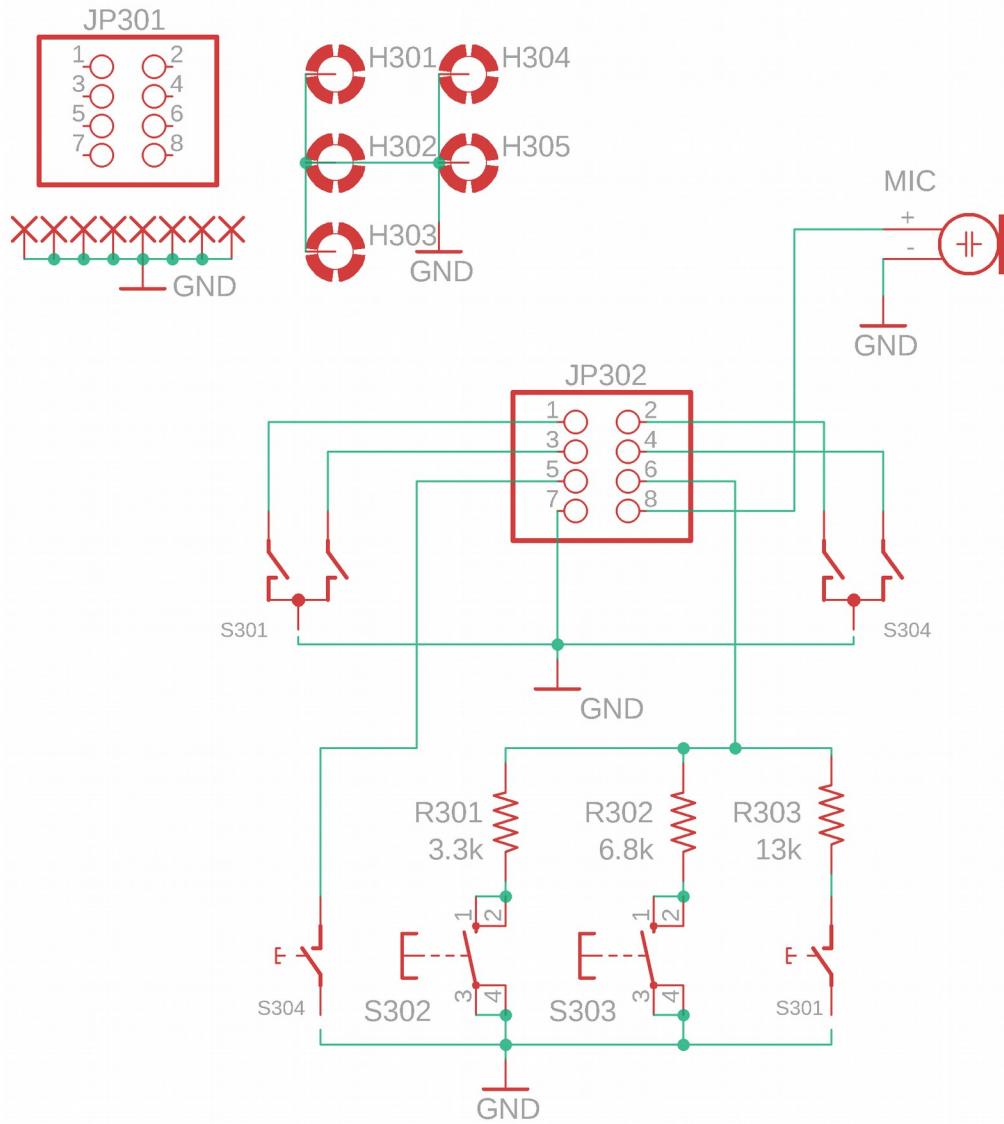
Plug-in PCB #2



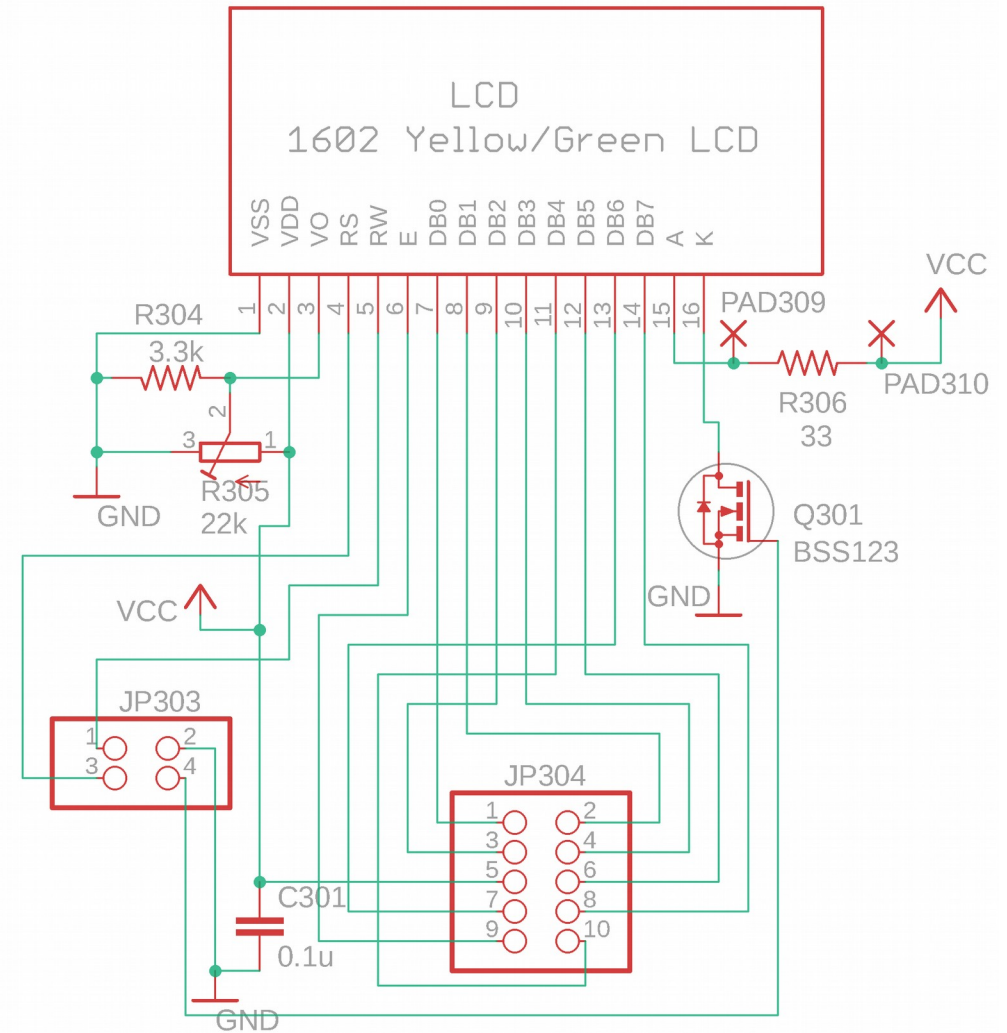
1: Power supplies



2: Microcontroller and digital sections

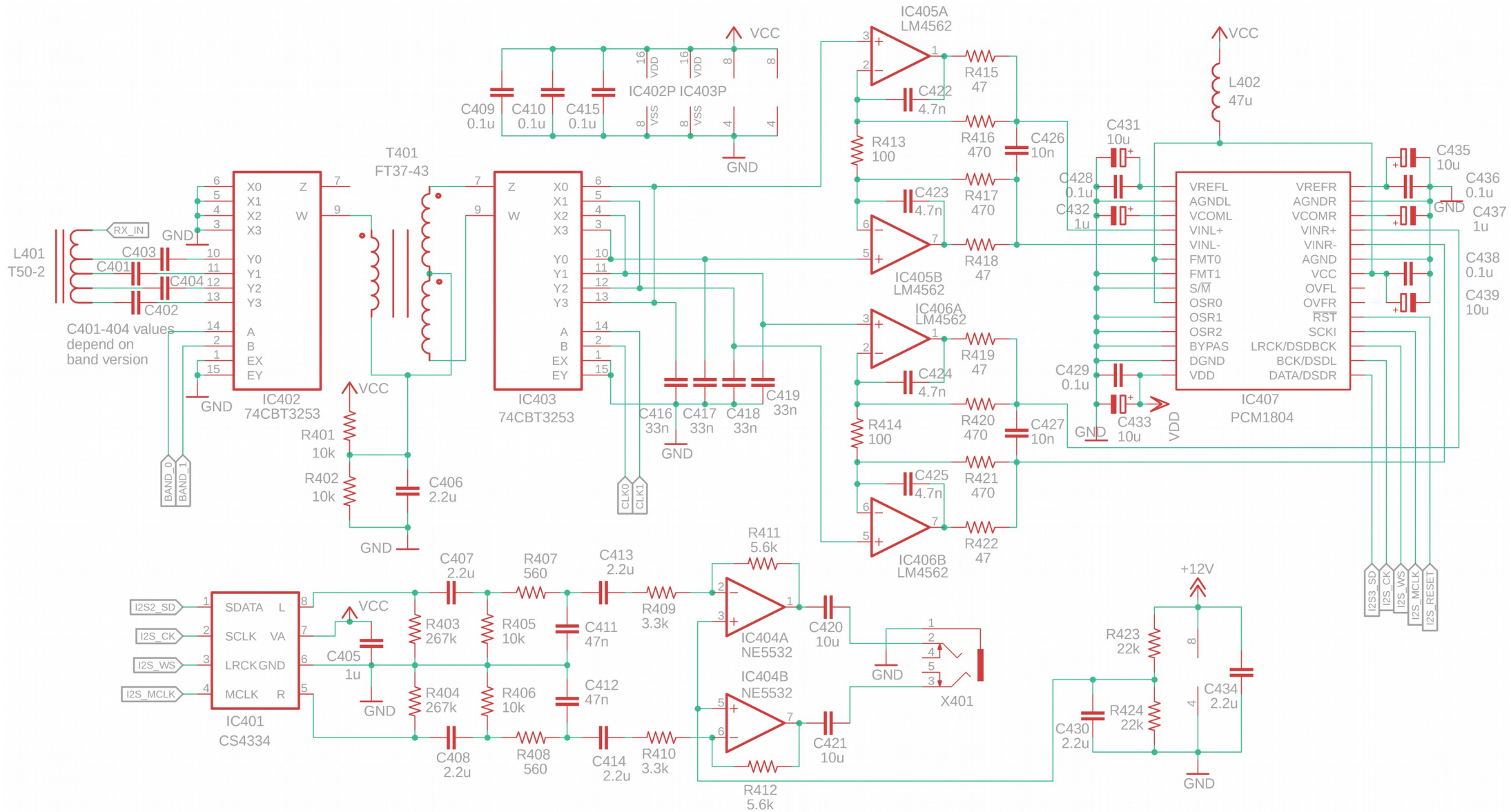


Plug-in Controls board

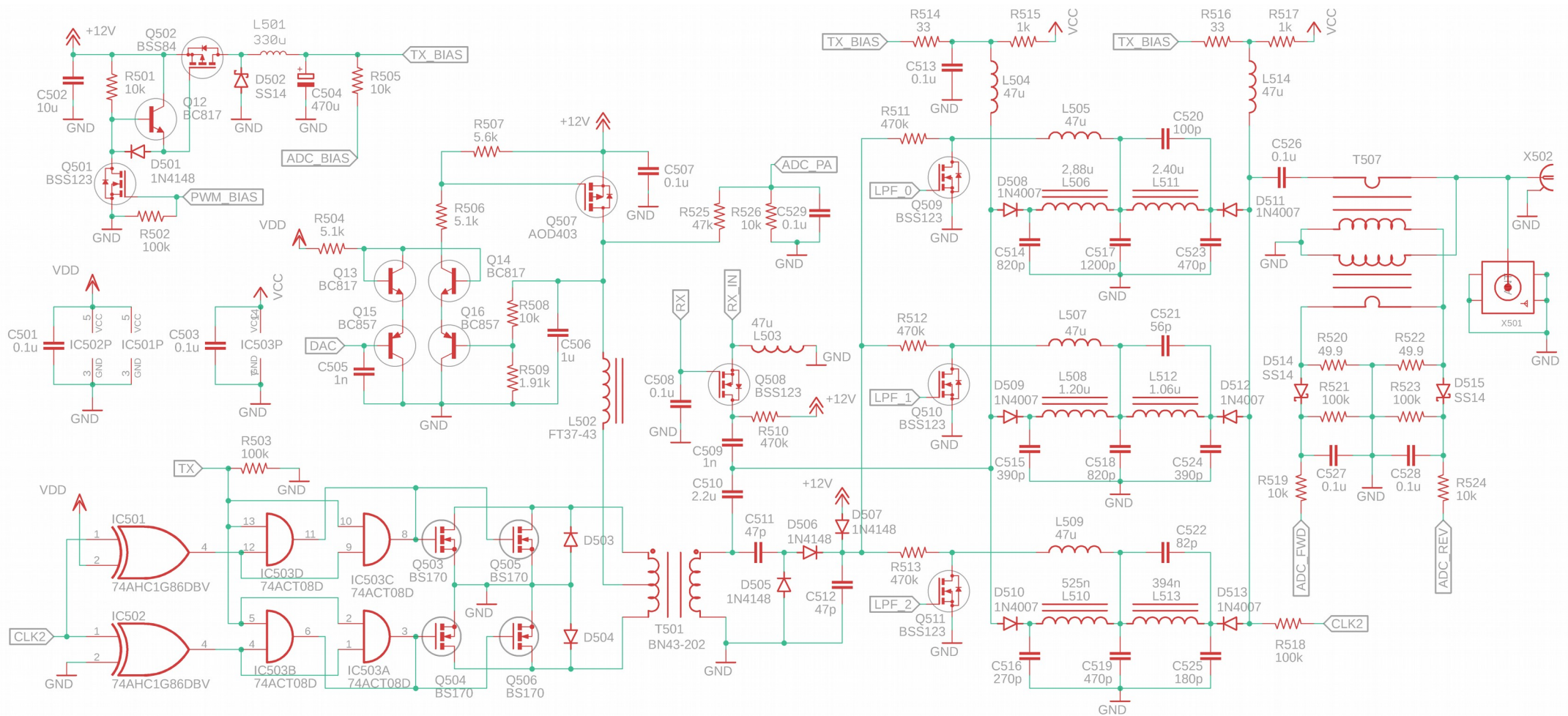


LCD board

3: LCD and Controls boards



4: Receiver



5: Transmitter