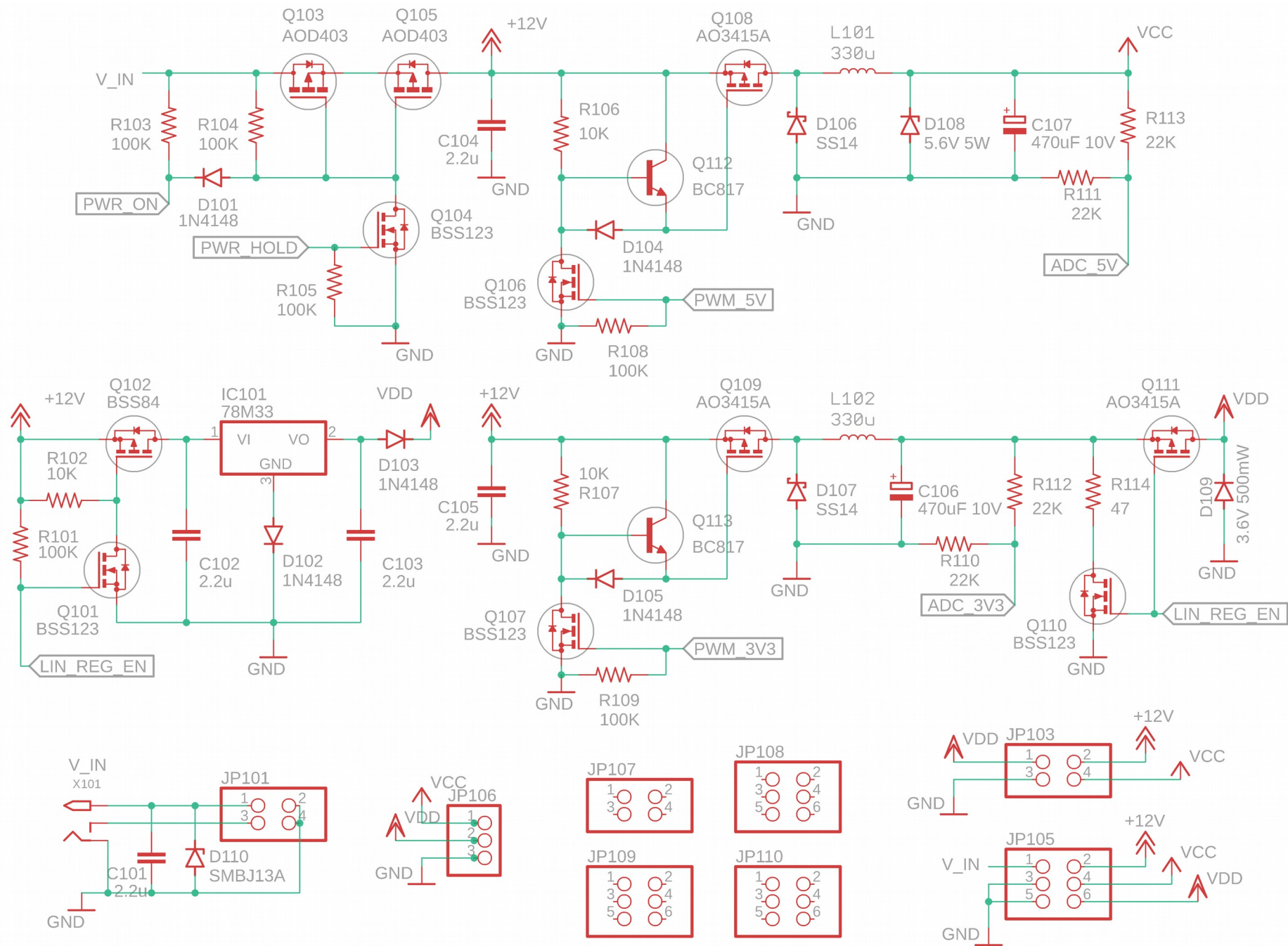
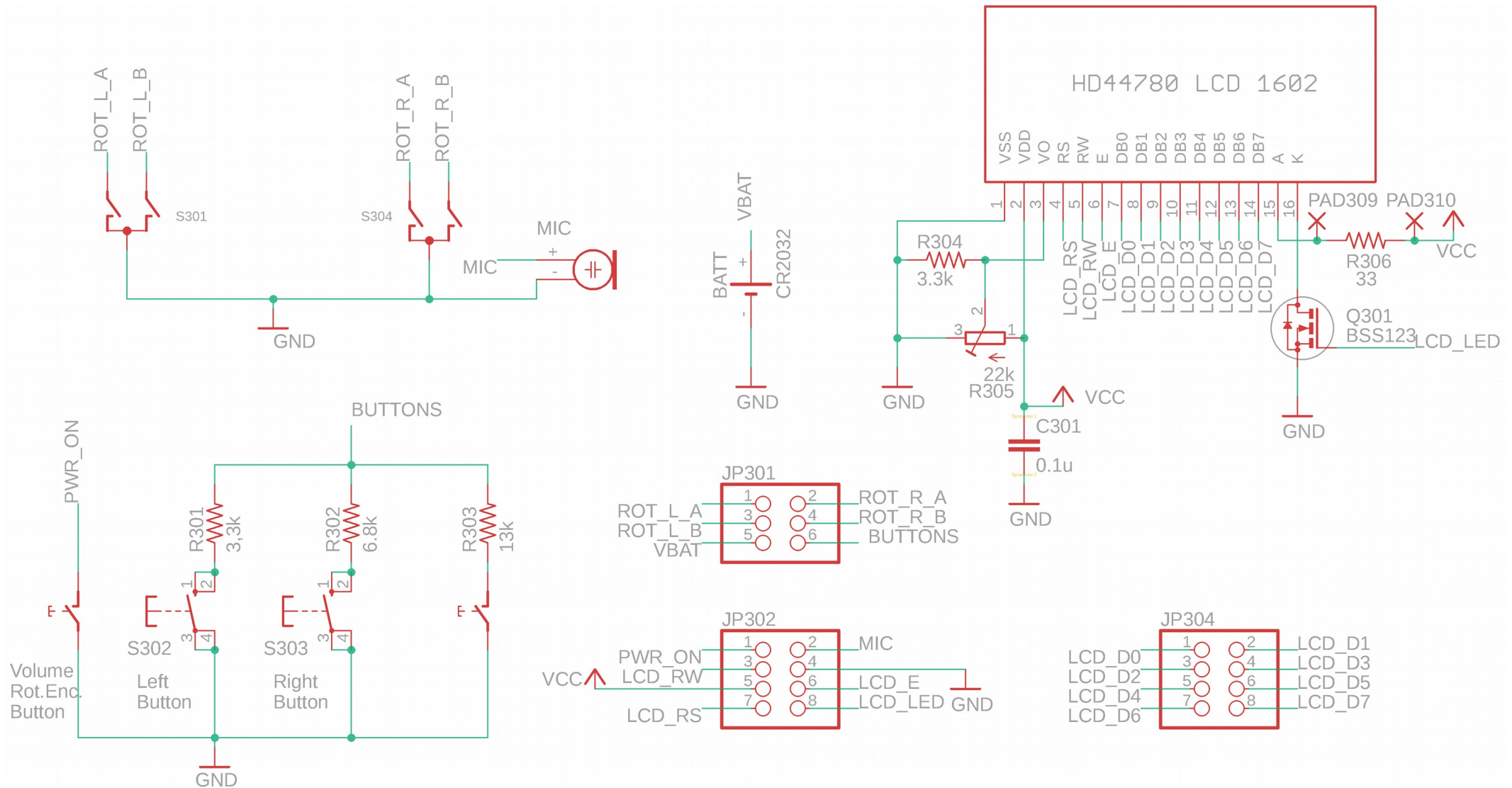


QMX+ PCB Rev 2 Schematics

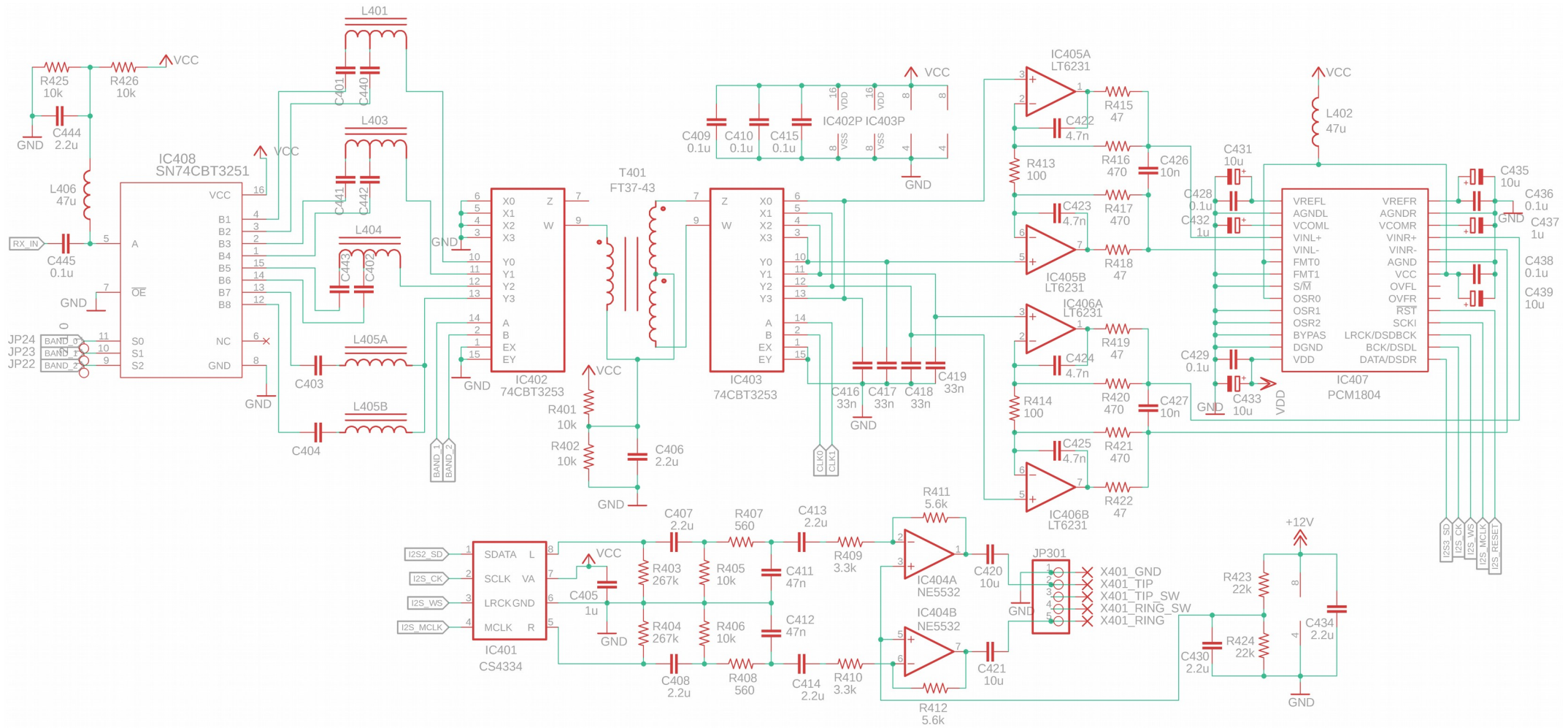
Note, component numbering indicates the page number of the schematics; e.g. all components numbered 1xx are on page 1 etc. R106, for example, is on schematics page 1.



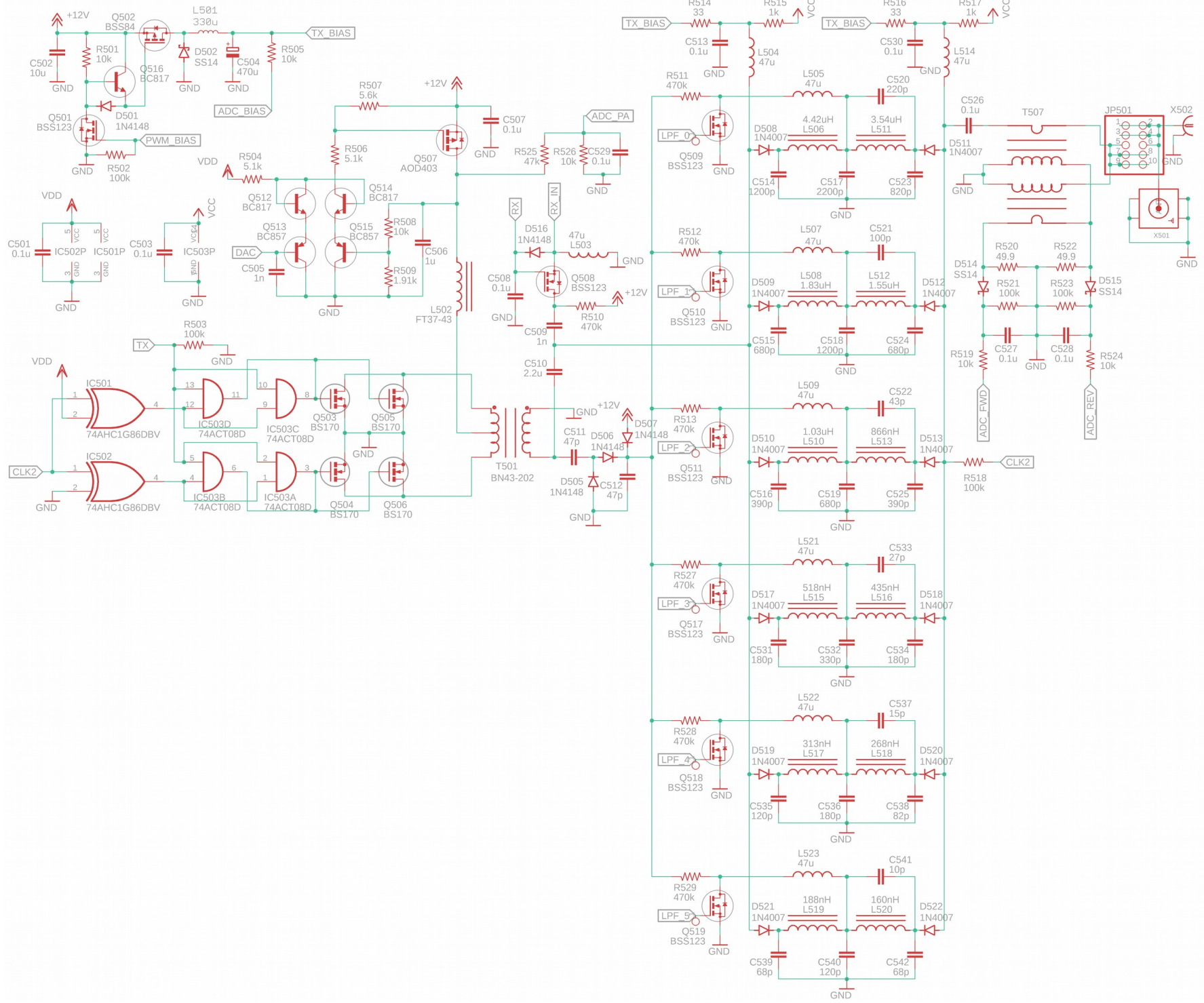
1: SMS power supplies



3: Front panel board



4: Receiver



5: Transmitter