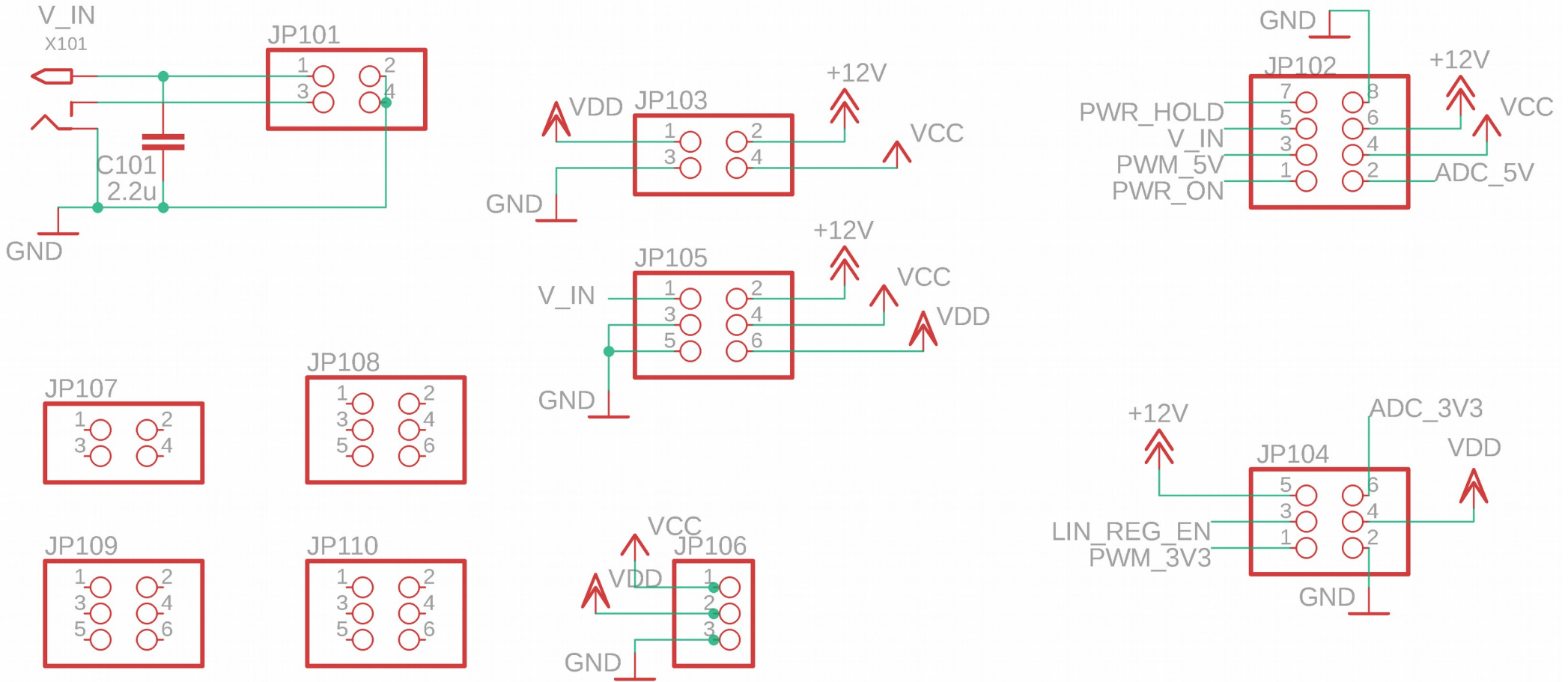
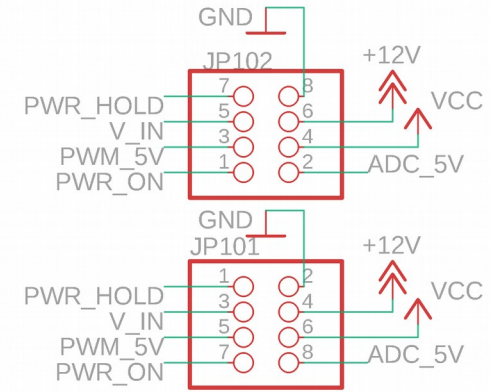
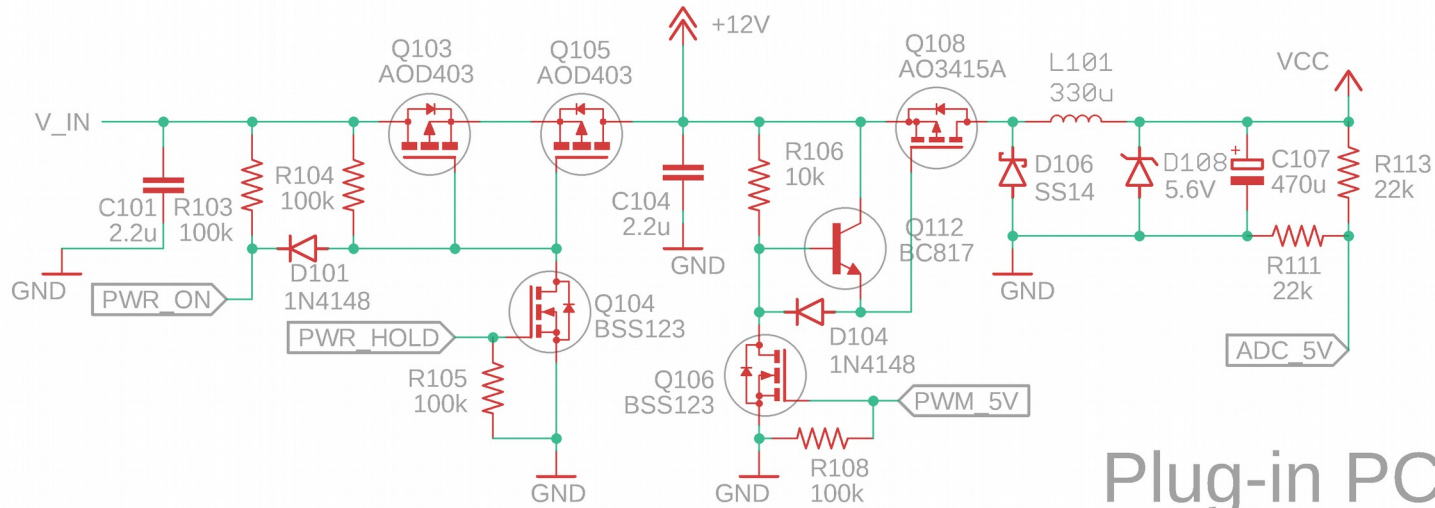


QMX+ PCB Rev 1 Schematics

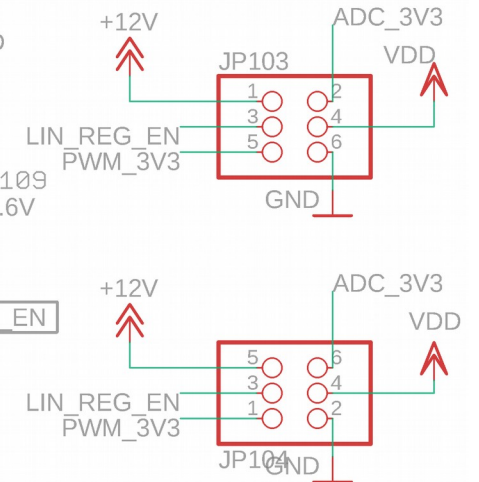
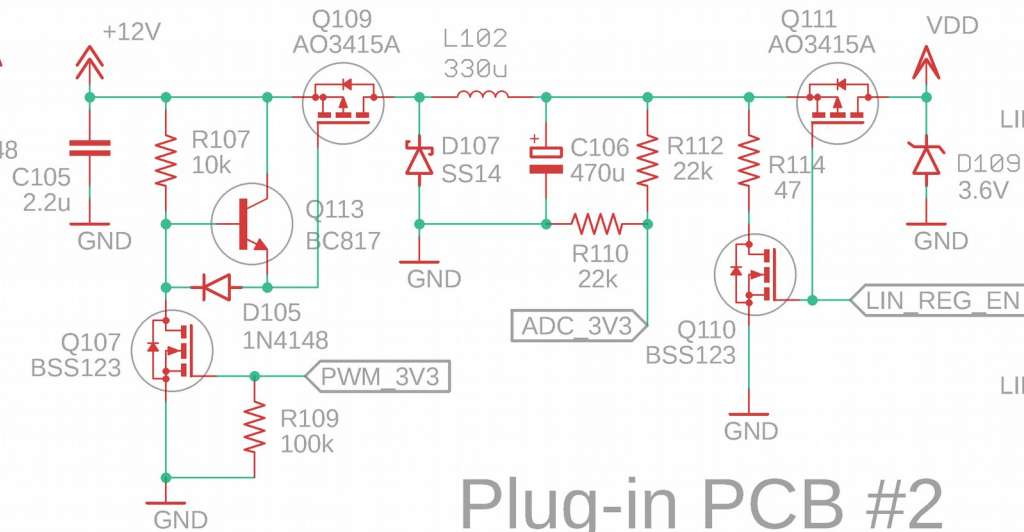
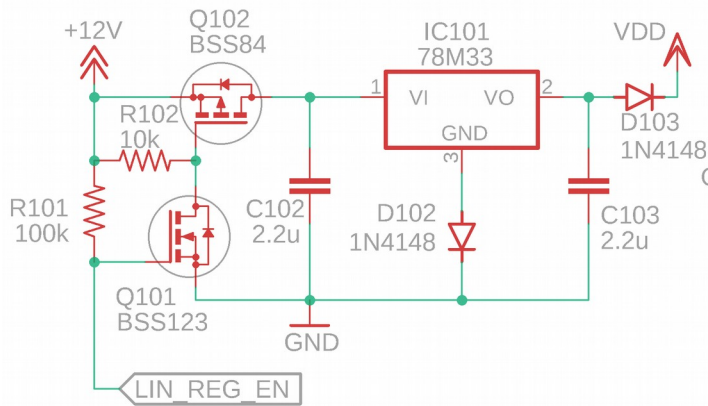
Note, component numbering indicates the page number of the schematics; e.g. all components numbered 1xx are on page 1 etc. R106, for example, is on schematics page 1.



0: Connectors

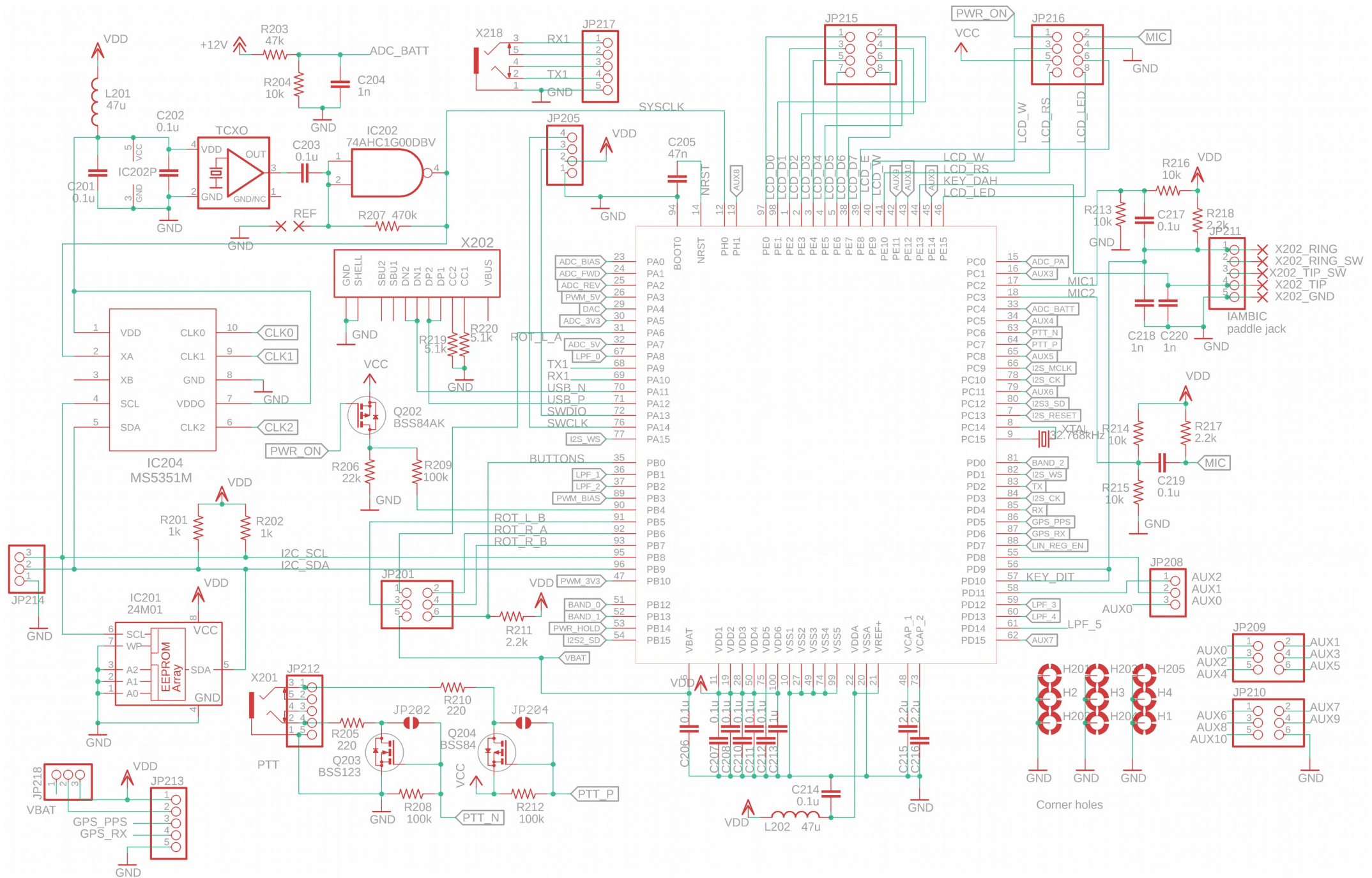


Plug-in PCB #1

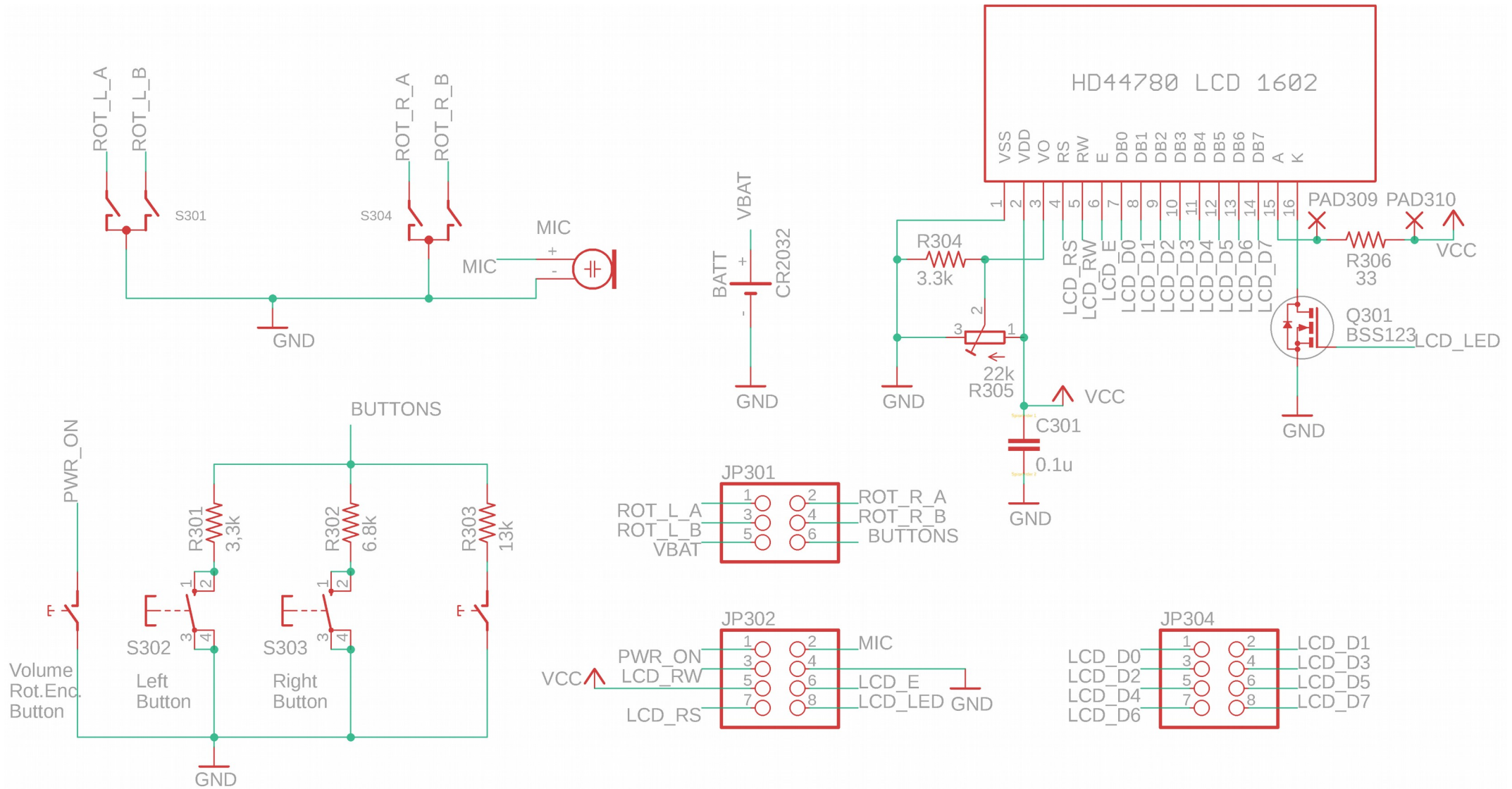


Plug-in PCB #2

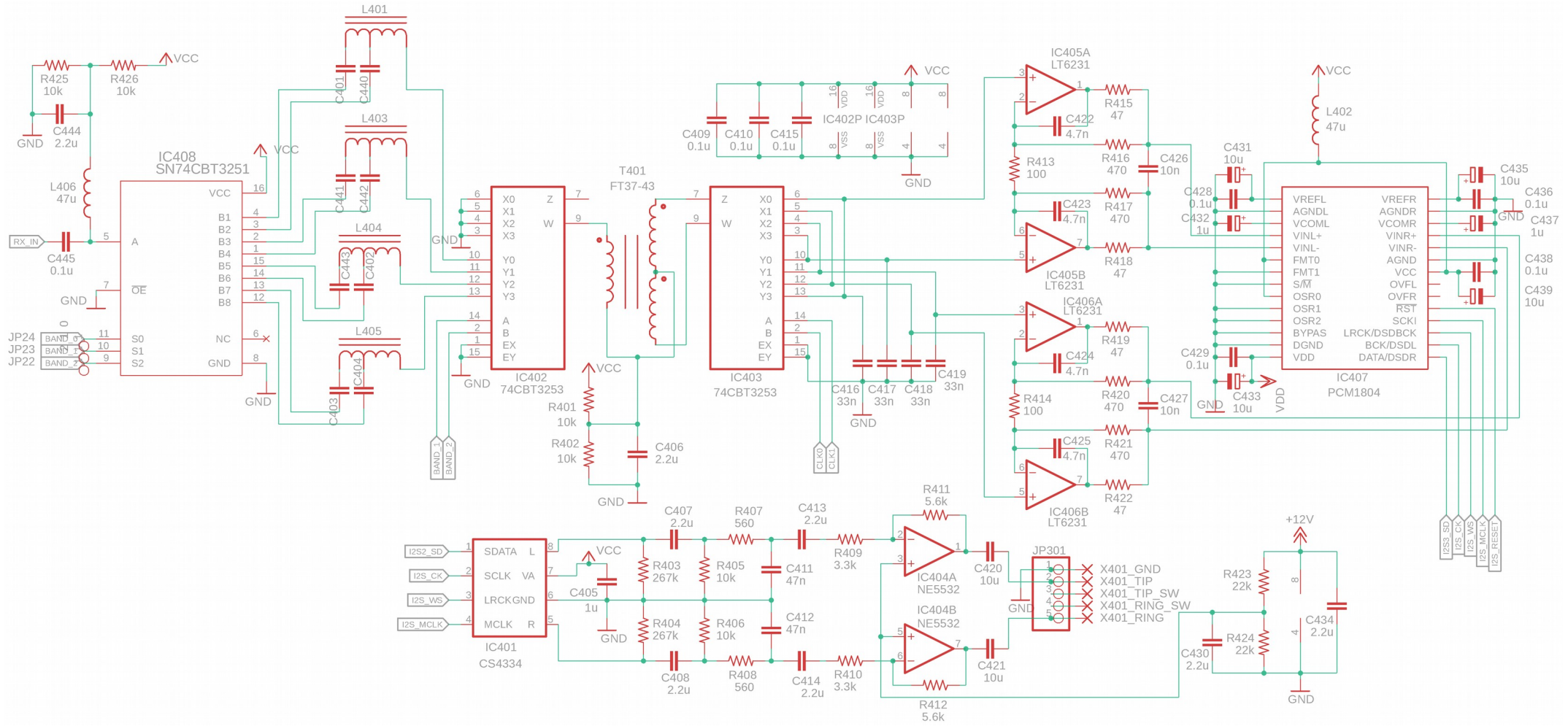
1: SMS power supplies



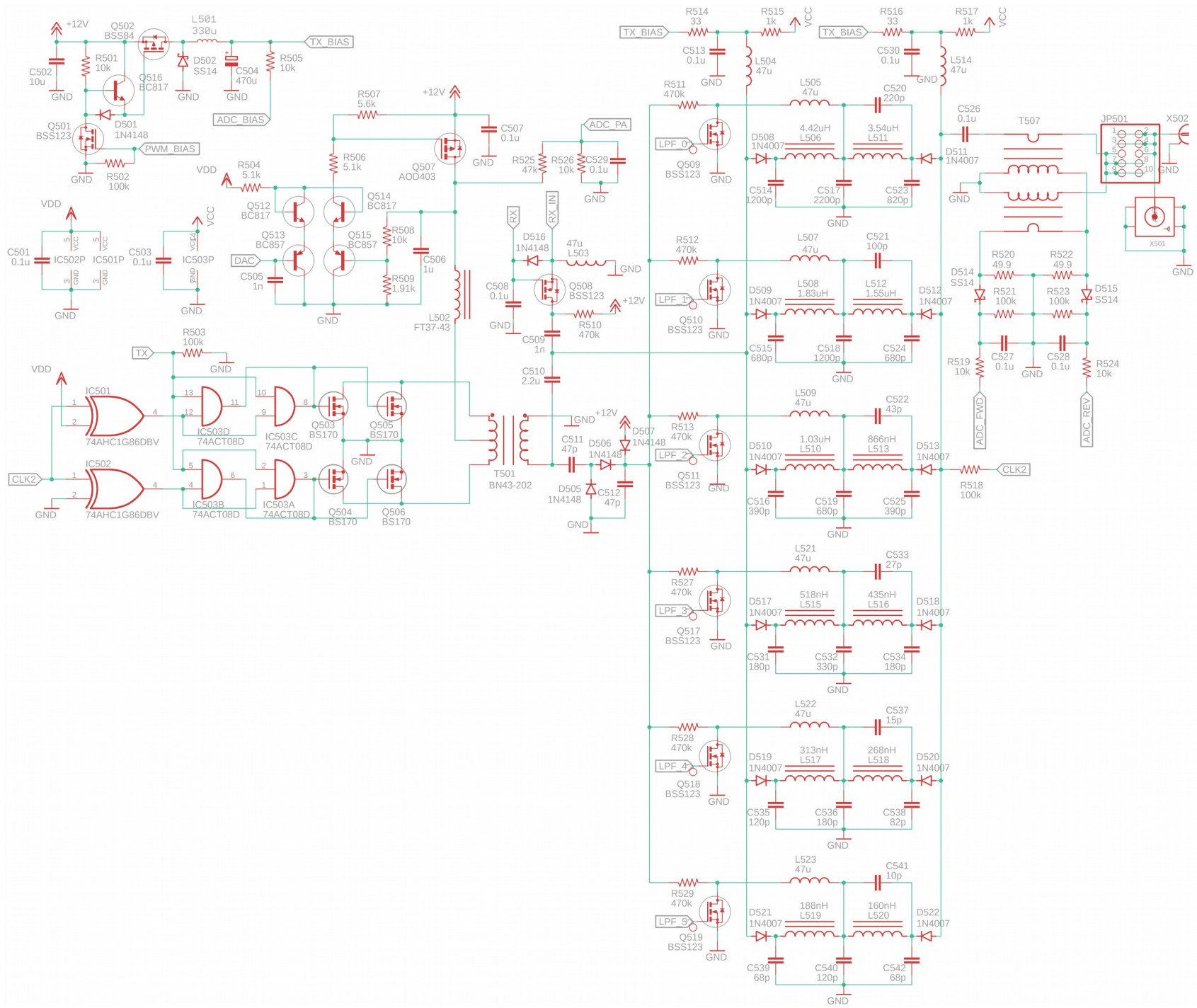
2: Microcontroller and digital sections



3: Front panel board



4: Receiver



5: Transmitter