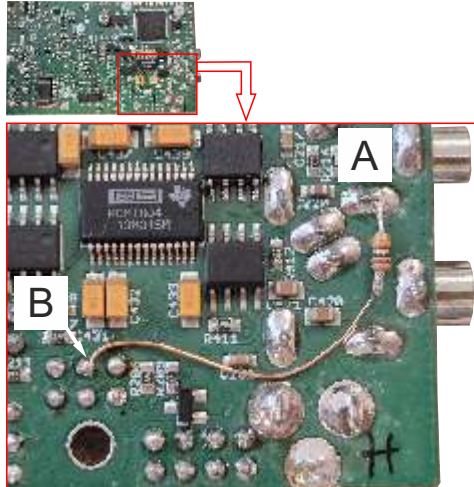


QMX modifications for Mini Mic LED (MM-LED)

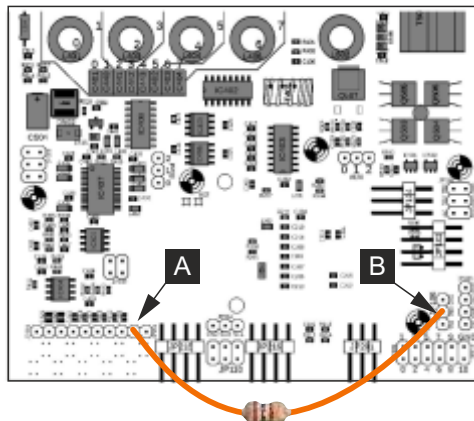
Modification of **QMX** for Mini Mic LED



1. Cut wire of 100 ohms resistor and solder it to point "A"
2. Cut other resistor wire
3. Cut enamelled wire to required length
4. Scratch off enamel and tin wire
5. Solder wire to resistor
6. Solder wire to point "B"

 Palm Radio

Modification of **QMX+** for Mini Mic LED



1. Cut wires of 100 ohms resistor
2. Cut enamelled wire to required length
3. Scratch off enamel and tin both ends of wires
4. Solder wires to resistor
5. Solder wire ends to points "A" and "B"

 Palm Radio